



RIMA with armrests

Chair

RIMA

DESCRIPTION

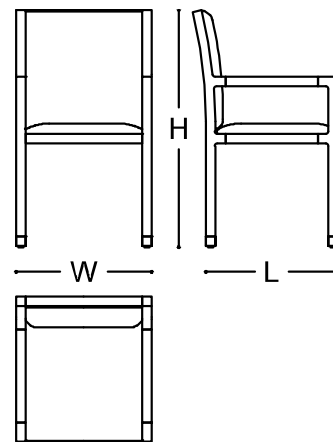
Dining chair with upholstered seat and seatback. The reverse of the seatback features a carved structure with a cut out geometric motif that leaves the upholstery visible from behind. Rima can be upholstered with all suitable Armani/Casa fabrics or Soft Touch Leathers in collection.

MADE IN ITALY

DIMENSIONS

53,5 x 57 x 93,5 h cm - Inch 21 x 22.4 x 36.8h

SH: 49 cm - Inch 19.3



FINISHES



Brushed Brown Oak

TECHNICAL INFORMATION

Legs

Solid oak (*Quercus petraea*), brass feet.

Seat and seatback

Frame in solid oak (*Quercus petraea*), multilayer panels, covered in rubber at variable density.

Painting cycle and glues

Water or solvent dye, solvent shading, matt finishing / Vinyl and urea glues.

Maintenance and disposal

Product designed for indoor use. Make sure that the surface does not stay in contact with water or other liquids, even for short periods. The product is made with finishes subject to deterioration if treated with unsuitable substances. Always use neutral and creamy cleaning solutions without alcohol or acids. Never use steel wool or abrasive sponges but a soft wet cloth. Dry thoroughly after each cleaning. The replacement of damaged parts must be done only with original pieces: in this case, please contact an official Armani/Casa dealer for assistance. At the end of its useful life, the product must be returned to an authorized collection center for disposal.