

 ARMANI / CASA



BUTLER

Chair

BUTLER

DESCRIPTION

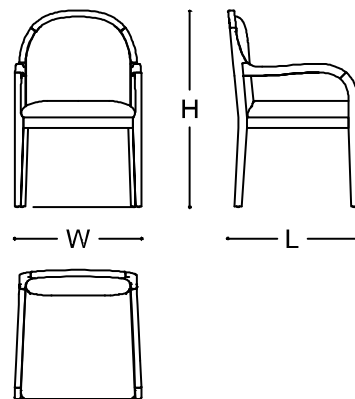
Butler is a chair that, due to its elegant lines and sinuous armrests, can be used also as a small armchair. Upholstery available in all suitable Armani/Casa fabrics and Soft Touch Leathers in collections. All covers are not removable.

MADE IN ITALY

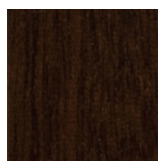
DIMENSIONS

59x60x91h cm - Inch 23.2x23.6x35.8h

SH: 49 cm - Inch 19.3



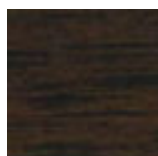
FINISHES



Brown Mahogany



Brushed Brown Oak



Canaletto Walnut

BUTLER

TECHNICAL INFORMATION

Seatback frame and legs

Solid wood, depending on the finish (*Swietenia mahagoni*, *Quercus spp.*, *Juglans regia*).

Seat and seatback

Multilayer poplar wood with rubber padding, covered with fabric.

Back panel

Panel with wood veneer, depending on the finish (*Swietenia mahagoni*, *Quercus spp.*, *Juglans regia*).

Painting cycle and glues

Water or solvent dye, polyurethane base, solvent shading, matt finishing / Vinyl and urea glues.

Maintenance and disposal

Product designed for indoor use. Make sure that the surface does not stay in contact with water or other liquids, even for short periods. The product is made with finishes subject to deterioration if treated with unsuitable substances. Always use neutral and creamy cleaning solutions without alcohol or acids. Never use steel wool or abrasive sponges but a soft wet cloth. Dry thoroughly after each cleaning. The replacement of damaged parts must be done only with original pieces: in this case, please contact an official Armani/Casa dealer for assistance. At the end of its useful life, the product must be returned to an authorized collection center for disposal.